

J O'K Services

Sales and Service of Garage and Industrial Equipment

Bohirrill Park, Ramelton, Donegal, Ireland.

Tel / Fax: +353 74 9152883 Mob: +353 87 9516000 E-mail: info@jok.ie Web: www.jok.ie

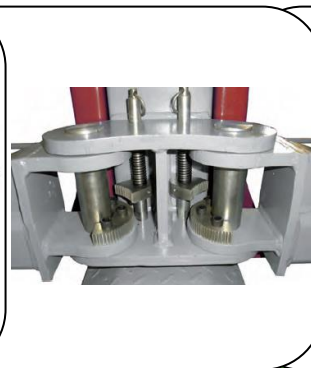
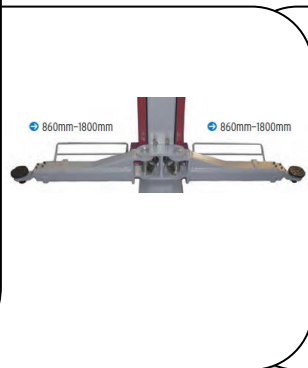


PA-6150D 5 Ton Automatic Lock 2 Post Lift,

The PA-6150D Automatic Lock 2 Post Lift is ideal for the medium to larger vehicle types of applications in the work shop.

With a 5000 kg lifting capacity, 120 mm minimum lifting, three stage arm extension front and rear, wide runway, screw up lift Pads and high lift extension pads this lift is suitable for most vehicles.

Safety features include as standard, auto locks on ascent, Auto locks on decent, safety parachute valves, 2 rope hydraulic counter balance. secure arm locking system, 24 Volt dead man control and chain protection covers.



Specifications	PA-6150D	
Lifting	Type	Electro Hydraulic
	Lifting capacity	5000 kg
Dimensions	Total width	3620 mm
	Arm length	860 / 1800mm
	Maximum height	1900 mm
	Minimum height	120mm
	Runway width	2810 mm
Motor Rating	Voltage/ Kw	220V / 2.2 Kw
	High Lift Pads	
	Yes	50mm 100mm
Weight	Kg	900 Kg

Technical Data

